

CONTROLLERS

Smart monitoring,
reliable documentation



NETWORKING WITH AIR CONTROL

Internet-based remote monitoring

In the future it will be even easier to remotely monitor your compressed air generation thanks to visualisation via the ALMiG web server – regardless of where you happen to be at the time. The system ensures high reliability with convenient access to various parameters, prompt messages and comprehensive facts.

Up to ten compressors can be monitored in this way – regardless of the compressor type. The system works with both piston and screw or turbo compressors. The only prerequisite is that the web server is connected via an AIR CONTROL HE, State-of-the-art bus technology is used for the installation.

Accessible parameters:

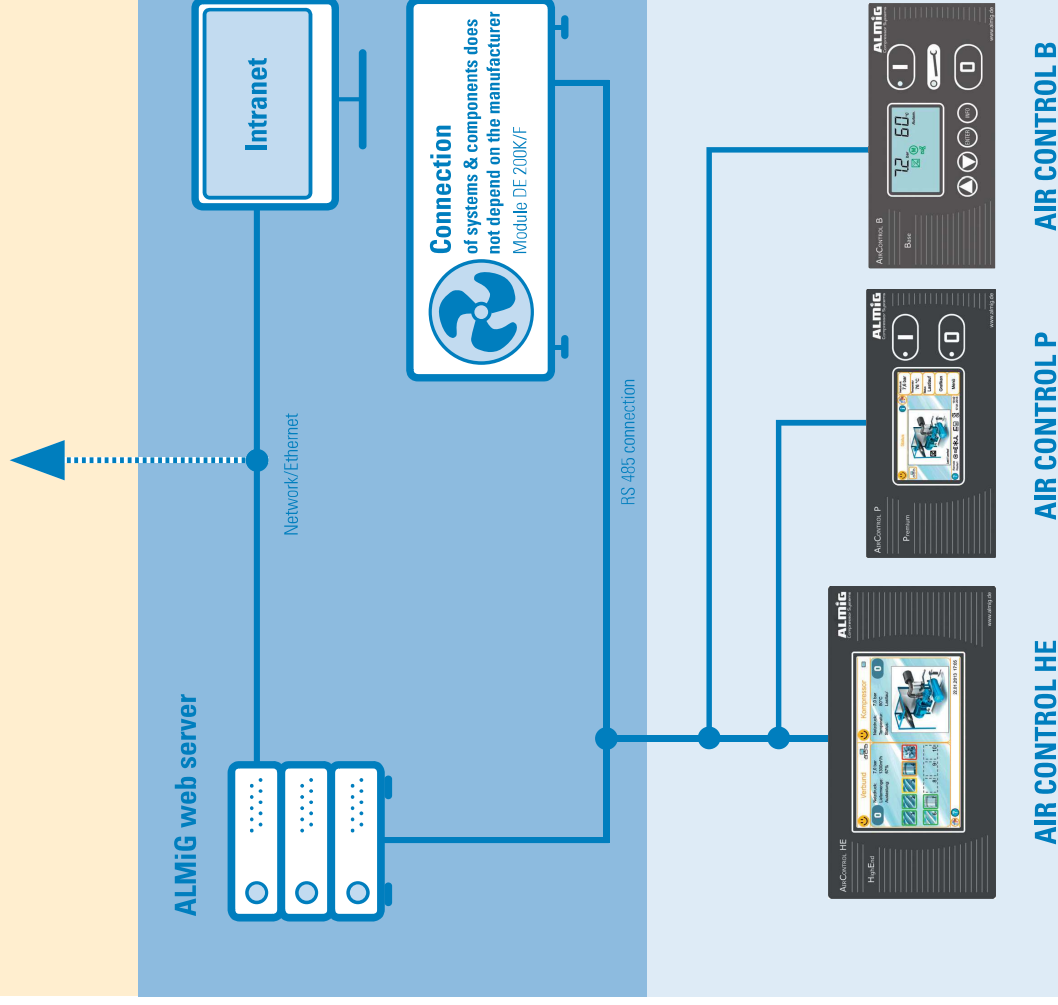
- Energy and compressed air balance, also available to download
- Overview of the compressor station with the operating statuses of each individual compressor
- Loaded / idle mode statistics of compressors
- Data on delivery volumes, volume flows and motor starts
- Detailed information about utilisation, network pressure and specific performance data
- Data on energy efficiency and maintenance

The most important benefits:

- Easy to operate via standard internet browser
- Can be accessed via company's own network or anywhere in the world via the Internet
- Dial-in protected by user ID
- Various parameters are depicted either in tables or graphs
- Continuous monitoring of all parameters of relevance to operation
- Active e-mail notification to up to 5 e-mail addresses in the event of warnings, maintenance work or faults
- Convenient transfer of all relevant data into Office programs such as MS Excel
- The parameters are displayed in a visually appealing way
- CSV files for further processing

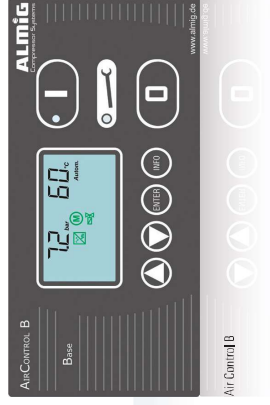


Your web device



AIR CONTROL

Monitored. Visualised. Documented.



Using the ALMIG AIR CONTROL family of controllers you can control, manage and monitor your entire compressed air supply system in the best possible way.

The smart, integrated compressor controllers offer you optimum operating convenience and outstanding cost-effectiveness. They deliver maximum reliability in the supply of compressed air and plan maintenance ahead of time.

The very latest microprocessor and communications technology is used, guaranteeing you seamless integration of all compressor models as well as the entire range of accessories. And all that as standard via the RS-485 data bus. The optional connectivity to a web server enables monitoring of your compressor station from anywhere in the world.

Further functionality and benefits:

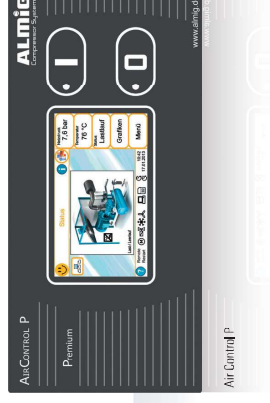
- Huge potential savings by reducing idling levels and lowering pressure levels
- Transparency when it comes to the compressors and accessories, at all times
- Reductions in maintenance time and downtimes

AIR CONTROL MINI

- Icon display for the most important operating states, such as compression temperature, dew point and operating pressure
- Programmable automatic restart
- On-site operation – Remote on/off
- Fault memory (no. of positions)
- Refrigeration dryer activation

AIR CONTROL B

- Microprocessor controller
- Illuminated colour LCD display
- Navigation using number keys
- Icon display for all the important operating states, such as mains pressure, final oil and compression temperature
- Maintenance interval indicator
- Fault memory
- Link to superordinate control systems
- Refrigeration dryer activation



AIR CONTROL P

- Microprocessor controller with colour touch screen and illuminated graphic display menu
- Supported user guidance
- Simple connection to all accessory components
- Can be integrated into the customer's own management systems
- Timer programming for optimum adaptation to operational requirements
- "System pass" – the compressor's identity card
- Various language variants available
- Various graphical depictions can be accessed, e.g. volume flow produced as daily and weekly profile
- Basic load cycle switching; another 4 additional compressors (slaves) can be added as master control device
- Fault memory
- Programmable automatic restart
- Extensive statistics with data logging
- System parameters can be saved to a data medium to reduce programming effort

AIR CONTROL HE

Version: Compressor and global control system

- Can be used as a consumption-dependent global control system for up to 10 compressors
- Excellent optical display and simplest possible operation using a 7" TFT colour touch screen
- Flexible installation into the compressor or into a separate control cabinet possible
- Extremely user-friendly thanks to simple configuration and start-up wizard
- Parameter settings can be saved to a data medium
- Comprehensive statistics can be accessed using the data-logging functionality

Version: Global control system

- Quick access to information about the operating state of the connected compressors
- Graphical display of power and consumption profiles
- Split screen: compressor data and information about the network can be displayed in parallel
- Leaks can be identified and displayed
- Priorities can be allocated
- Energy-saving – all the compressors operate in one pressure tolerance range
- Speed-controlled compressors can be integrated seamlessly into the system
- Can be connected to higher-level control systems or a web server